



**DIPLOMATIC**  
HYDRAULICS

31 210/104 ED



# RSN\*

## SINGLE-ACTING THROTTLE FLOW CONTROL VALVE

### SERIES 30

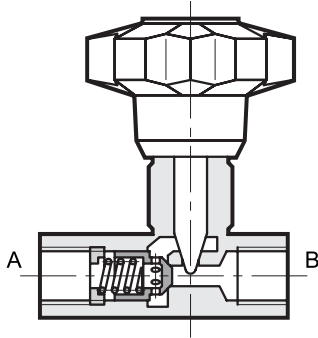
**THREADED PORTS**

**CARTRIDGE TYPE**

**p** max (see technical specifications table)

**Q** max (see technical specifications table)

#### OPERATING PRINCIPLE

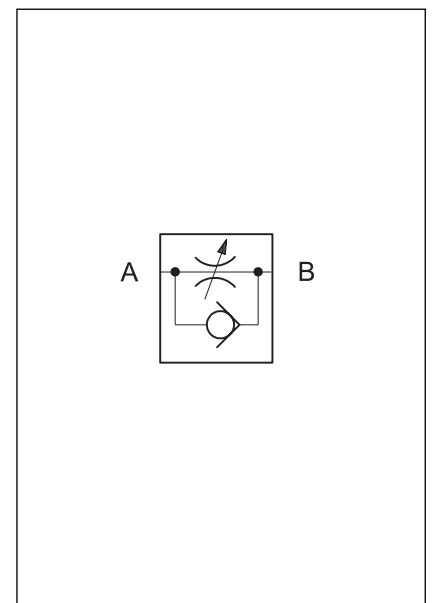


- The RSN\* and RSN\*-I valves are single-acting throttle flow control valves for in-line mounting, directly in the line or as a cartridge complete with threading for in-block mounting.
- Adjustment is obtained with a conical throttle that operates in a cylindrical seat and allows a good linearity of the adjusted flow.
- They are also used as single direction flow shut-off valves since they guarantee good sealing when completely closed. They also allow a free return in the opposite direction.
- The valves are always supplied with an adjustment knob that can be locked in any position with a transverse positioned grub screw, as may be required.

#### TECHNICAL SPECIFICATIONS (obtained with mineral oil with viscosity of 36 cSt at 50°C)

Valve Code	Port dimensions BSP	Nominal flow rate [l/min]	Max. flow with open flow [l/min]	Mass [kg]	Max. operating pressure [bar]
RSN2	1/4"	15	35	0,25	400
RSN3	3/8"	30	80	0,5	
RSN4	1/2"	50	150	0,75	
RSN5	3/4"	80	200	1,6	320
RSN6	1"	150	300	3,05	
RSN7	1.1/4"	200	400	3,75	
RSN8	1.1/2"	220	500	5,75	
RSN2-I	—	15	35	0,13	320
RSN3-I	—	30	80	0,25	
RSN4-I	—	50	150	0,34	
RSN5-I	—	80	200	0,62	

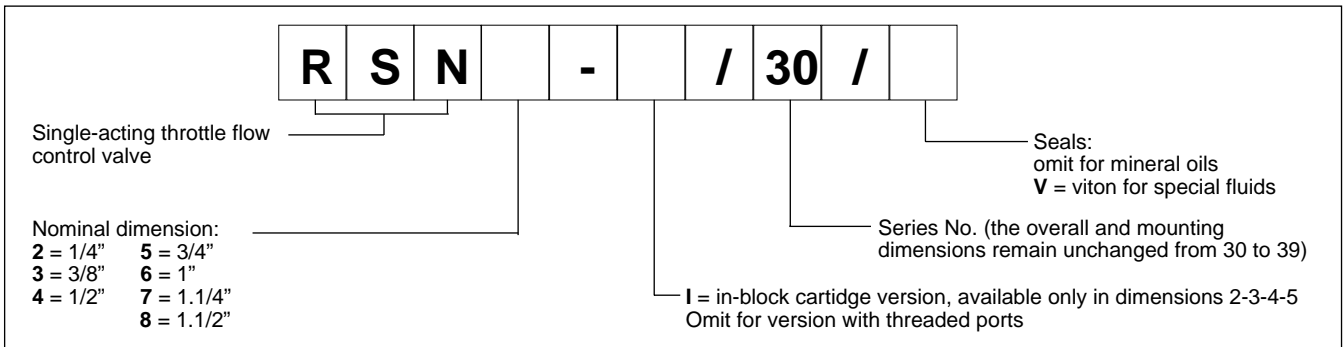
#### HYDRAULIC SIMBOL



Direct check valve opening pressure	bar	0,35
Ambient temperature range	°C	-20 ÷ +50
Fluid temperature range	°C	-20 ÷ +80
Fluid viscosity range	cSt	10 ÷ 400
Recommended viscosity	cSt	25
Degree of fluid contamination	According to NAS 1638 class 10	



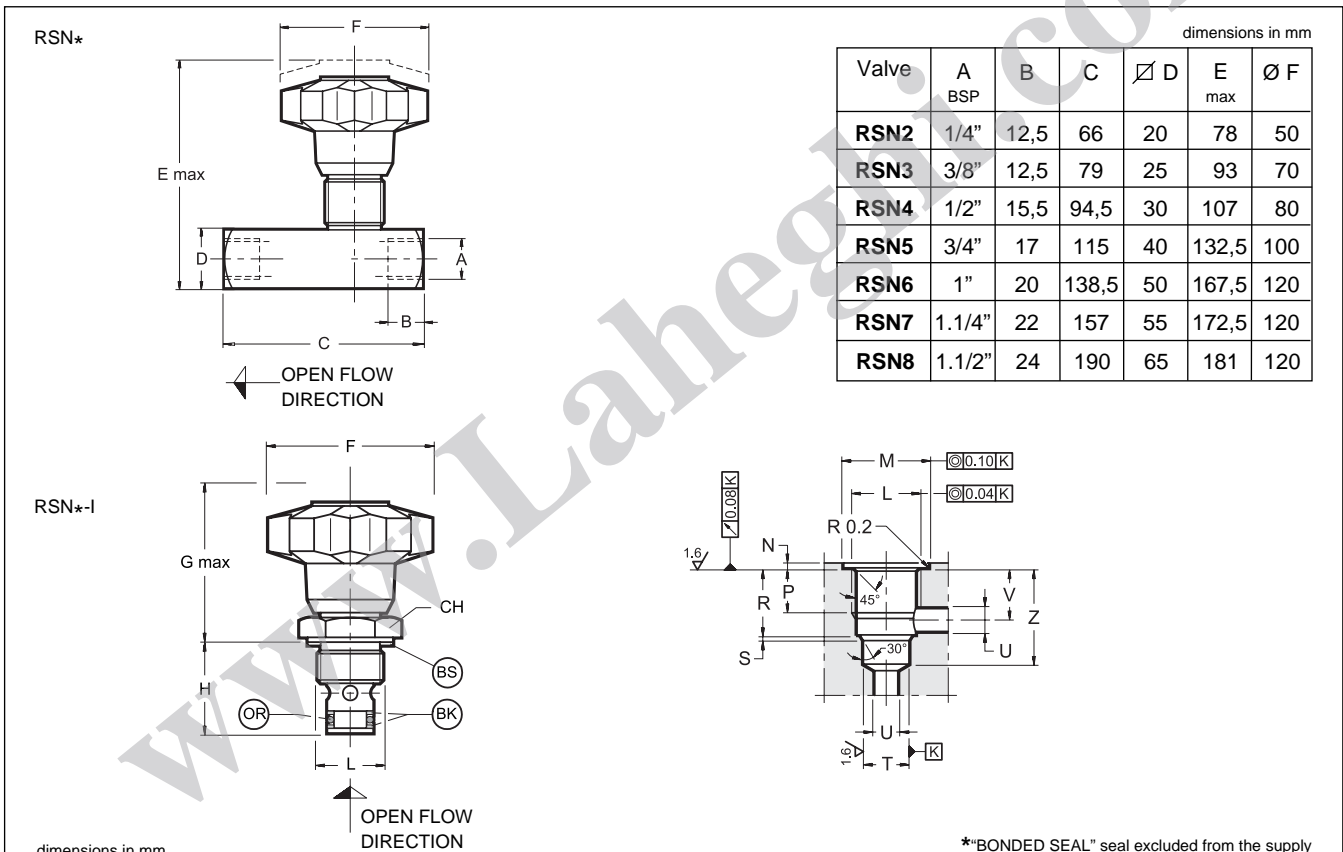
### 1 - IDENTIFICATION CODE



### 2 - HYDRAULIC FLUIDS

Use mineral oil-based hydraulic fluids, with the addition of suitable anti-frothing and anti-oxidizing agents. For the use of other types (water glycol, phosphate esters and others), please consult our technical department.

### 3 - OVERALL AND MOUNTING DIMENSIONS



Valve	∅ F	G max	H	L 6H	∅ M +0.2 0	N	P min	R ± 0.2	S +0.2 0	∅ T H8	∅ U max	V ± 0.2	Z min	CH	OR type	BK type	BS* type
RSN2-I	50	47	30,5	M20x1.5	27	1	12	20	1.2	16	8	15.2	32	27	2050	2050	400-513
RSN3-I	49	76	40	M27x2	33	1.3	18	28	1.2	19	10	22	41	32	2062	2062	400-520
RSN4-I	60	87	44.5	M33x2	40	1.3	18	30,5	1.2	27	12	23	45.5	41	130	130	400-515
RSN5-I	70	108	52.5	M42x2	50	1.3	21,5	36.5	1.5	35	16	28.5	55	50	3118	3118	400-516

 <b>DIPLOMATIC HYDRAULICS</b>	<b>DIPLOMATIC OLEODINAMICA SpA</b> 20025 LEGNANO (MI) - P.le Bozzi, 1 / Via Edison Tel. 0331/472111 - Fax 0331/548328
--------------------------------------	---